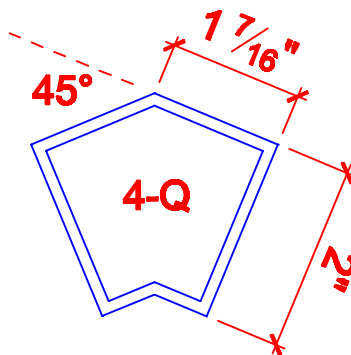
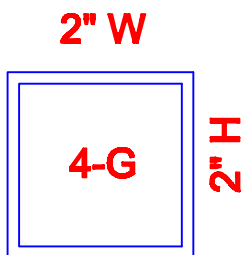
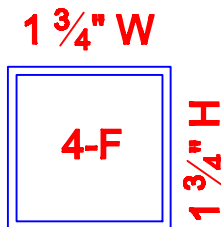
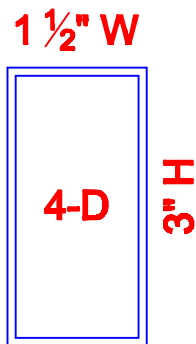
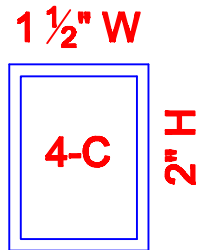
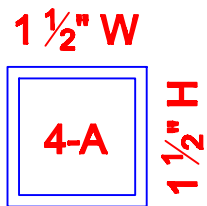


# Posts



Custom shapes can be designed to meet any special need

The components and connection techniques shown herein are provided solely for use in incorporating "Aluminum Tube Railings" by ATR Technologies, Inc. into the overall project design and are the proprietary intellectual property of ATR Technologies, Inc. All rights reserved.

<b>ATR TECHNOLOGIES, INC.</b> 805 Towne Center Drive Pomona, California 91767-6001 (909) 399-9724 St. Lic. #679259			REVISIONS	<b>Posts</b>	SHEET <b>1</b> OF <b>1</b>
					SCALE <b>NONE</b>
DESIGN	DRAWN <b>JRH</b>	CHECKED			JOB NO. <b>NONE</b>
				DATE <b>06/07/2010</b>	